

F

E

D

C

B

A

1

2

3

4

1

2

3

4

性能:

额定电流: 2.0A

额定电压: 12V

耐电压: 500V

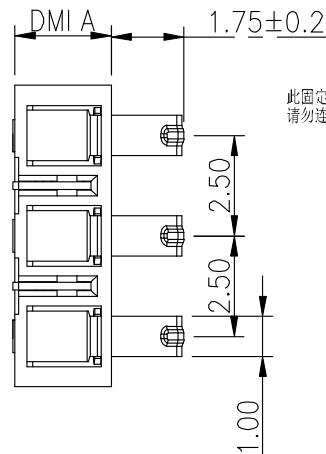
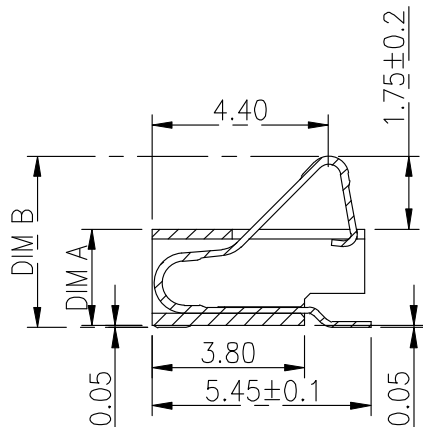
接触电阻: 30mΩ

绝缘电阻: 500MΩ

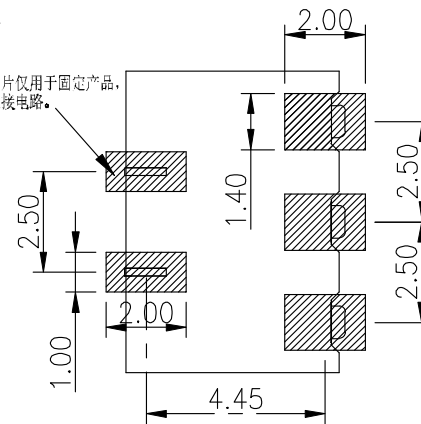
工作温度: -40℃~+85℃

塑件(材质): LCP 黑色

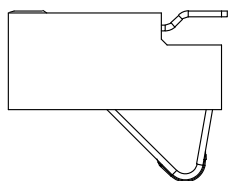
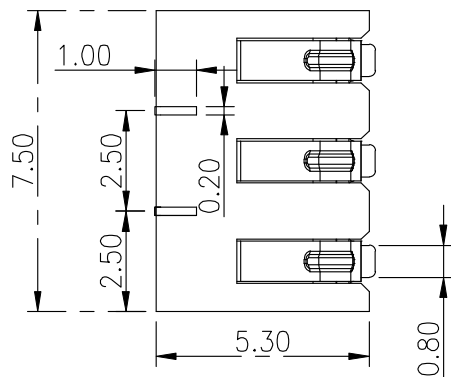
接触点(材质): 铜合金, 镀金



此固定片仅用于固定产品, 请勿连接电路。



RECOMMENDED PCB LAYOUT  
TOP VIEW (.XX±0.05)



PART NO.	DIM A	DIM B						
BC-1-320	2.4	4.2	2	HOUSING	LCP	1	BLACK	
BC-1-320A	3.0	4.8	1	CONTACT TERMINAL	PHOSPHOR BRONZE	3	Au PLATED	
BC-1-320B	3.5	5.3	NO.	PARTS	MATERIAL	QTY.	FINISHING	

东莞市朗顿电子科技有限公司

COPYRIGHT RESERVED, PLEASE DO NOT COPY.

PART NAME		CONNECTOR		DRAWING		G.B.Wu		DWG.No.		DS-BC-108	
PART NO.		BC-1-320/320A/320B		CHECK		Q.L.Dai		REV.		A0	
UNIT : mm	TOLERANCE	UP TO 5	±0.2	ANGLE	APPROVAL	DATE		03-09-2017			
	OTHERWISE	ABOVE 5 30 ~	±0.3		SCALE	PAGE		1 OF 1			

F

E

D

C

B

A