

性能:

额定电流: 2.0A

额定电压: 12V

耐电压: 500V

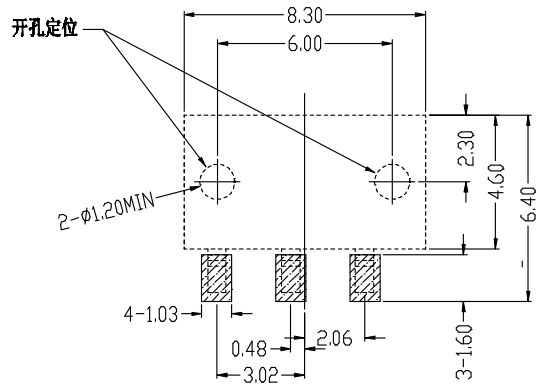
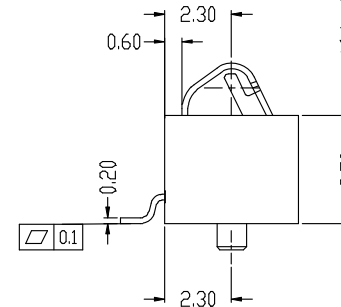
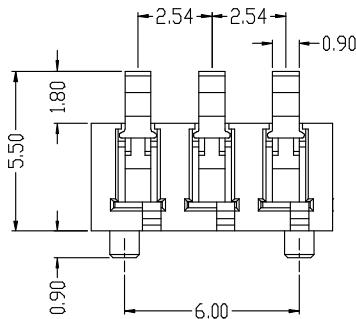
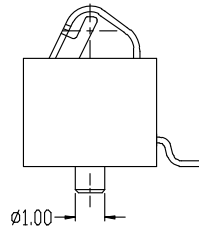
接触电阻: 30mΩ


绝缘电阻: 500MΩ

工作温度: -40℃~+85℃

塑件(材质): LCP 黑色

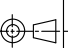
接触点(材质): 铜合金, 镀金



 SMT SOLDER AREA  
**RECOMMENDED PCB LAYOUT**  
 GENERAL TOLERANCE ±0.05

2	HOUSING	LCP	1	BLACK
1	CONTACT TERMINAL	BeCu	3	Au PLATED
NO.	PARTS	MATERIAL	QTY.	FINISHING

东莞市朗顿电子科技有限公司

PART NAME		CONNECTOR		DRAWING	G.B.Wu	DWG.No.	DS-BC-018
PART NO.		BC-1-301A		CHECK	Q.L.Dai	REV.	A0
 UNIT : mm	TOLERANCE OTHERWISE	UP TO 5	±0.2	ANGLE	APPROVAL	DATE	06-01-2017
		ABOVE 5 30	±0.3			0°±3'	PAGE
		ABOVE 30	±0.5	SCALE	2:1		
		ANGLE	±3'				

COPYRIGHT RESERVED, PLEASE DO NOT COPY.