

性能:

额定电流: 2.0A

额定电压: 12V

耐电压: 500V

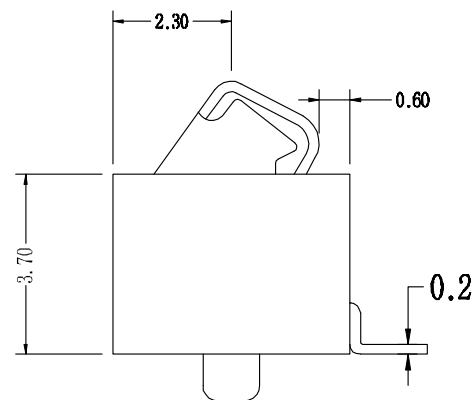
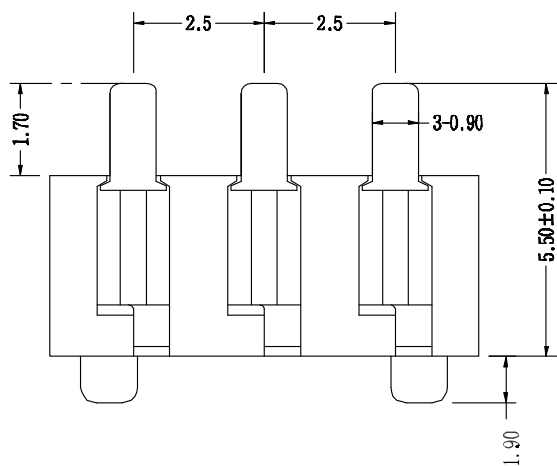
接触电阻: 30mΩ

绝缘电阻: 500MΩ

工作温度: -40°C~+85°C

塑件(材质): LCP 黑色

接触点(材质): 铜合金, 镀金



| | | | | |
|-----|------------------|----------|------|-----------|
| 2 | HOUSING | LCP | 1 | BLACK |
| 1 | CONTACT TERMINAL | BeCu | 3 | Au PLATED |
| NO. | PARTS | MATERIAL | QTY. | FINISHING |

东莞市朗顿电子科技有限公司

COPYRIGHT RESERVED, PLEASE DO NOT COPY.

| | | | | | | | |
|-----------|-----------|---------------|------|---------|-----------|---------|------------|
| PART NAME | | CONNECTOR | | DRAWING | W.M.Zhang | DWG.No. | DS-BC-003 |
| PART NO. | | BC-1-301 | | CHECK | Q.L.Dai | REV. | A0 |
| UNIT : | TOLERANCE | UP TO 5 | ±0.2 | ANGLE | APPROVAL | DATE | 18-08-2006 |
| | | ABOVE 5 TO 30 | ±0.3 | | | | |
| mm | OTHERWISE | ABOVE 30 | ±0.5 | 0°±3' | SCALE | PAGE | 1 OF 1 |
| | | | ±3' | | 2:1 | | |