

F

E

D

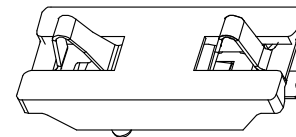
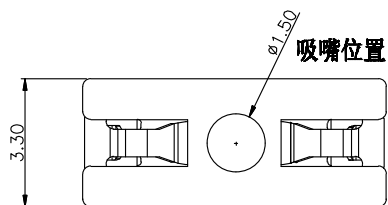
C

B

A

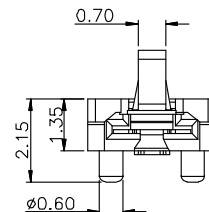
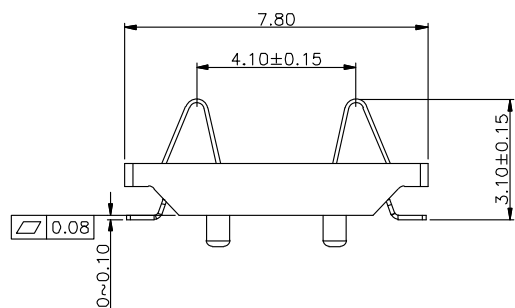
1

1



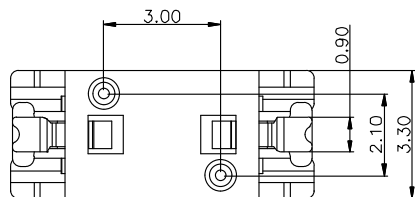
2

2



3

3



技术要求

1、ELECTRICAL CHARACTERISTICS(电气性能):

1.1 Rating(额定值): DC 50V 0.5A

1.2 Contact Resistance(接触电阻): 40mΩ Max

1.3 Insulation Resistance(绝缘电阻): $\leq 500M\Omega$

1.4 Life(寿命): 3000 Cycles MIN

2、ELECTRICAL temperature rang(使用温度范围): $-10^{\circ}C \sim +60^{\circ}C$

4

4

2	HOUSING	LCP	1	BLACK
1	CONTACT TERMINAL	PHOSPHOR BRONZE	3	Au PLATED
NO.	PARTS	MATERIAL	QTY.	FINISHING

东莞市朗顿电子科技有限公司

PART NAME		CONNECTOR		DRAWING	G.B.Wu	DWG.No.	DS-BC-108
PART NO.		BC-1-215A		CHECK	Q.L.Dai	REV.	A0
	UNIT	TOLERANCE	UP TO 5	±0.2	APPROVAL	DATE	03-11-2019
	mm	OTHERWISE	ABOVE 5 30 ~	±0.3		SCALE	PAGE
			ABOVE 30	±0.5			
			ANGLE	±3'			

COPYRIGHT RESERVED, PLEASE DO NOT COPY.

F

E

D

C

B

A