

F

E

D

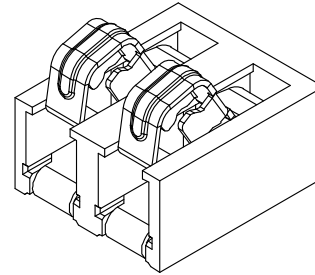
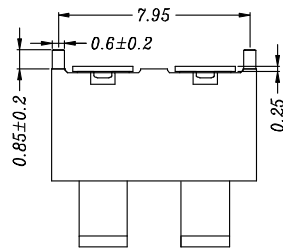
C

B

A

1

1

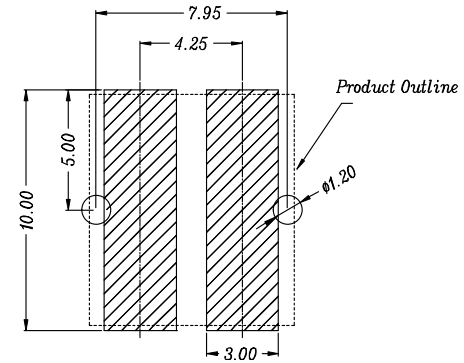
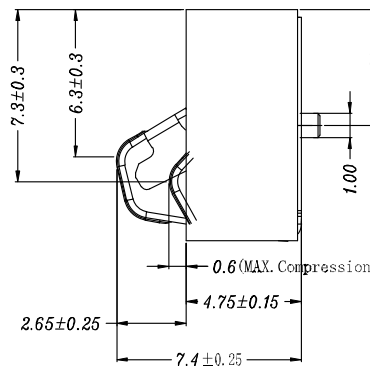
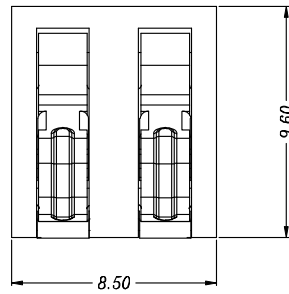


性能:

额定电流: 5.0A  
 额定电压: 30V  
 耐电压: 500V  
 接触电阻: 50mΩ Max  
 绝缘电阻: 500MΩ Min  
 工作温度: -40℃~+85℃  
 塑件(材质): LCP  
 接触点(材质): 磷铜, 触点镀金3U",  
 使用寿命: 5000次以上

2

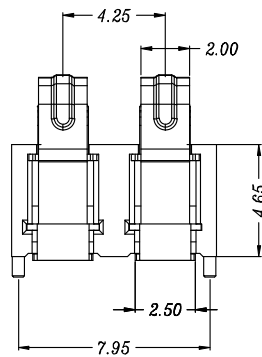
2



RECOMMENDED PCB LAYOUT  
 TOL:(±0.05)

3

3



PIN(N)	PART NO.	DIM A	DIM B	DIM C
3Pin	BC-1-331	12.75	4.25	8.5
4Pin	BC-1-418	17.0	8.5	12.75
5Pin	BC-1-506	21.25	12.75	17.0
6Pin	BC-1-607	25.5	17.0	21.25

4

4

2	HOUSING	LCP	1	BLACK
1	CONTACT TERMINAL	PHOSPHOR BRONZE	3	Au PLATED
NO.	PARTS	MATERIAL	QTY.	FINISHING

东莞市朗顿电子科技有限公司

COPYRIGHT RESERVED,PLEASE DO NOT COPY.

PART NAME		CONNECTOR		DRAWING	G.B.Wu	DWG.No.	DS-BC-110
PART NO.		BC-1-212		CHECK	Q.L..Dai	REV.	A0
UNIT :	TOLERANCE OTHERWISE	UP TO 5	±0.2	ANGLE	APPROVAL	DATE	15-08-2019
		ABOVE 5 30	±0.3				
mm		ABOVE 30	±0.5	0°±3'	SCALE	PAGE	1 OF 1
		ABOVE 30	±3'				

F

E

D

C

B

A