

F

E

D

C

B

A

1

2

3

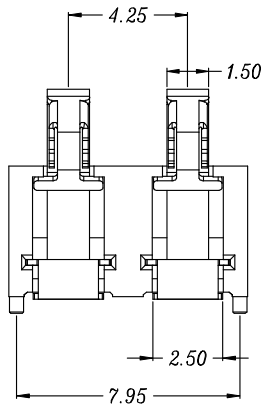
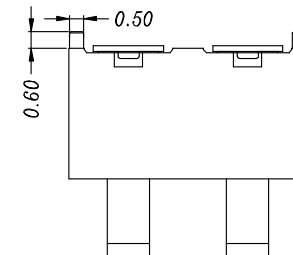
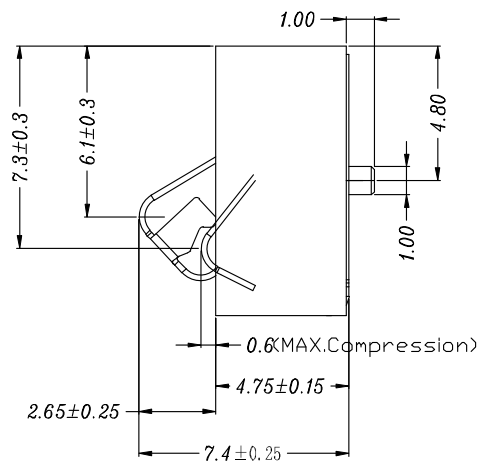
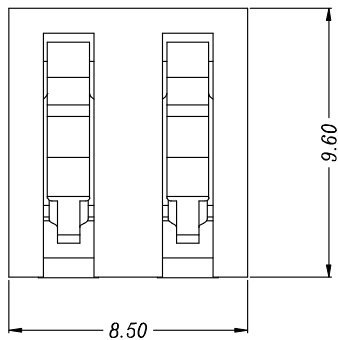
4

1

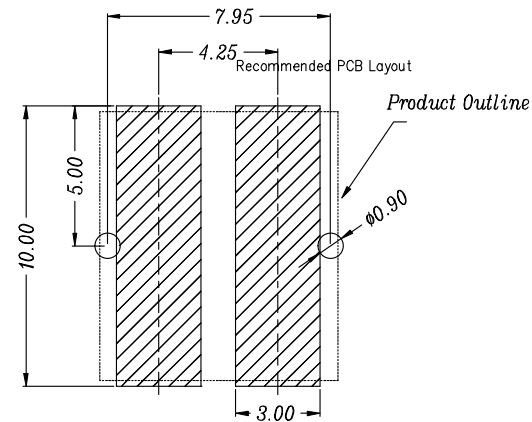
2

3

4



性能:
 额定电流: 5.0A
 额定电压: 30V
 耐压: 500V
 接触电阻: 50mΩ Max
 绝缘电阻: 500MΩ Min
 工作温度: -40℃~+85℃
 塑件(材质): LCP
 接触点(材质): 磷铜, 触点镀金3μ,
 使用寿命: 5000次以上



2	HOUSING	LCP	1	BLACK
1	CONTACT TERMINAL	PHOSPHOR BRONZE	3	Au PLATED
NO.	PARTS	MATERIAL	QTY.	FINISHING

东莞市朗顿电子科技有限公司

COPYRIGHT RESERVED, PLEASE DO NOT COPY.

PART NAME		CONNECTOR		DRAWING	G.B.Wu	DWG.No.	DS-BC-105
PART NO.		BC-1-211		CHECK	Q.L..Dai	REV.	A0
UNIT :	TOLERANCE OTHERWISE	UP TO 5	±0.2	ANGLE	APPROVAL	DATE	15-08-2017
		ABOVE 5 30	±0.3			SCALE	PAGE
mm		ABOVE 30	±0.5	0°±3'			
		ANGLE	±3'				

F

E

D

C

B

A