

F

E

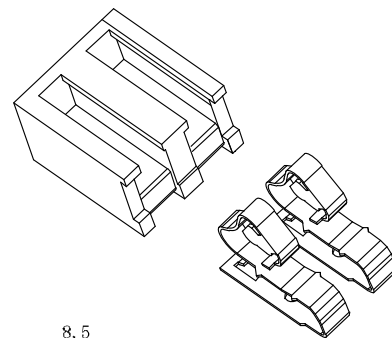
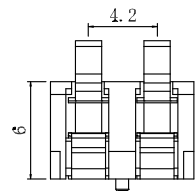
D

C

B

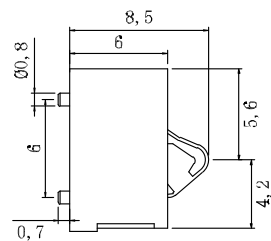
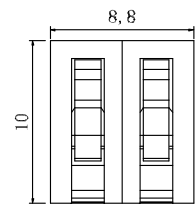
A

1



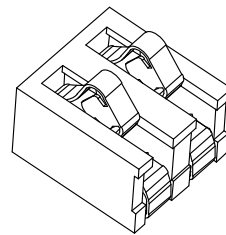
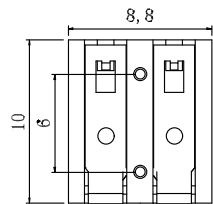
1

2



2

3



3

性能:

- 额定电流: 2.0A
- 额定电压: 12V
- 耐电压: 500V
- 接触电阻: 30mΩ
- 绝缘电阻: 500MΩ
- 工作温度: -40°C~+85°C
- 塑件(材质): LCP 黑色
- 接触点(材质): 铜合金, 镀金

4

2	HOUSING	LCP	1	BLACK
1	CONTACT TERMINAL	BeCu	3	Au PLATED
NO.	PARTS	MATERIAL	QTY.	FINISHING

4

东莞市朗顿电子科技有限公司

COPYRIGHT RESERVED,PLEASE DO NOT COPY.

PART NAME		CONNECTOR		DRAWING	G.B.Wu	DWG.No.	DS-BC-105
PART NO.		BC-1-210		CHECK	Q.L..Dai	REV.	A0
UNIT :	TOLERANCE OTHERWISE	UP TO 5	±0.2	ANGLE	APPROVAL	DATE	15-08-2017
		ABOVE 5 30	±0.3			SCALE	2:1
mm		ABOVE 30	±0.5	0°±3'			

F

E

D

C

B

A