

F

E

D

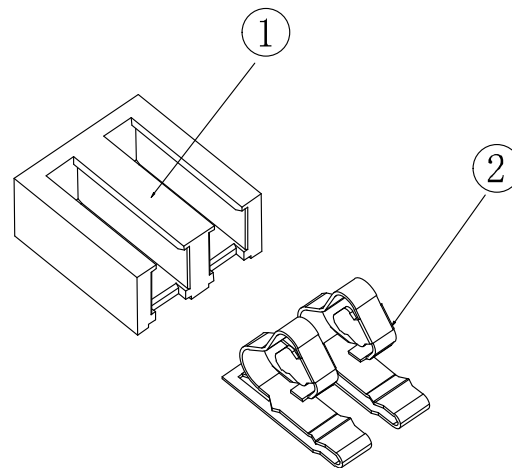
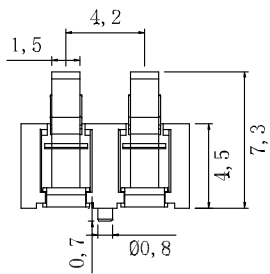
C

B

A

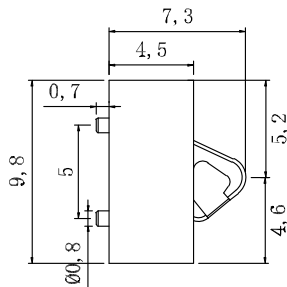
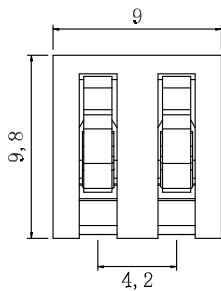
1

1



2

2

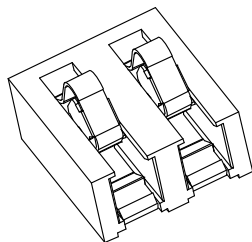
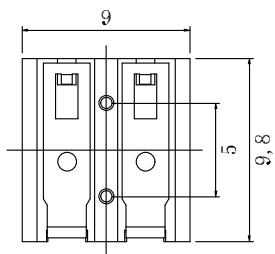


性能:

- 额定电流: 2.0A
- 额定电压: 12V
- 耐电压: 500V
- 接触电阻: 30mΩ
- 绝缘电阻: 500MΩ
- 工作温度: -40℃~+85℃
- 塑件(材质): LCP 黑色
- 接触点(材质): 铜合金, 镀金

3

3



4

4

2	HOUSING	LCP	1	BLACK
1	CONTACT TERMINAL	SUS	3	Au PLATED
NO.	PARTS	MATERIAL	QTY.	FINISHING

# 东莞市朗顿电子科技有限公司

COPYRIGHT RESERVED, PLEASE DO NOT COPY.

PART NAME		CONNECTOR		DRAWING		G.B.Wu		DWG.No.		DS-BC-171	
PART NO.		BC-1-209		CHECK		Q.L.Dai		REV.		A0	
	UNIT	: mm	TOLERANCE	UP TO 5	±0.2	ANGLE	APPROVAL	DATE	02-09-2017		
			OTHERWISE	ABOVE 5 30 ~	±0.3				0°±3'	PAGE	1 OF 1
				SCALE	2:1		PAGE				

F

E

D

C

B

A