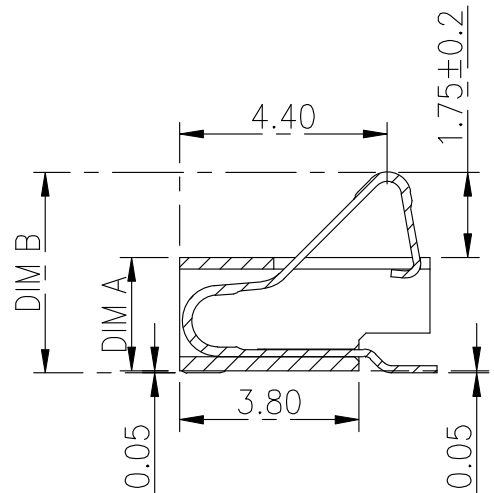


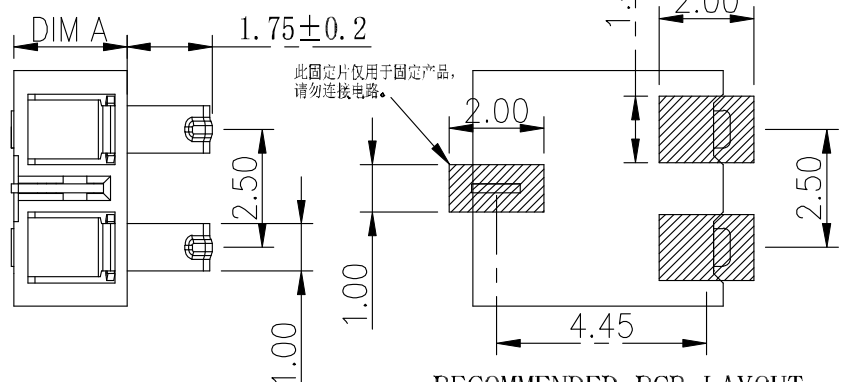
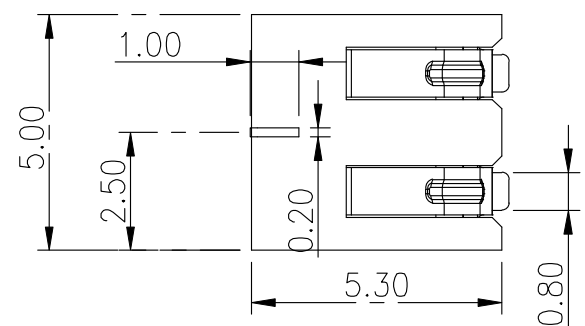
F E D C B A

1



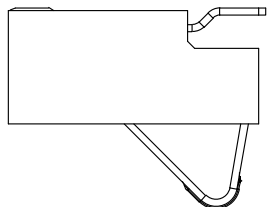
性能:
 额定电流: 2.0A
 额定电压: 12V
 耐电压: 500V
 接触电阻: 30mΩ
 绝缘电阻: 500MΩ
 工作温度: -40℃~+85℃
 塑件(材质): LCP
 接触点(材质): 磷铜, 触点镀金3U"
 使用寿命: 5000次

2



RECOMMENDED PCB LAYOUT
 TOP VIEW (. XX ± 0.05)

3



4

PART NO.	DIM A	DIM B					
BC-1-206	2.4	4.2	2	HOUSING	LCP	1	BLACK
BC-1-206A	3.0	4.8	1	CONTACT TERMINAL	PHOSPHOR BRONZE	3	Au PLATED
BC-1-206B	3.5	5.3	NO.	PARTS	MATERIAL	QTY.	FINISHING

东莞市朗顿电子科技有限公司

PART NAME		CONNECTOR		DRAWING	G.B.Wu	DWG.No.	DS-BC-107
PART NO.		BC-1-206/206A/206B		CHECK	Q.L.Dai	REV.	A0
UNIT : mm	TOLERANCE	UP TO 5	±0.2	APPROVAL	DATE	PAGE	03-09-2017
	OTHERWISE	ABOVE 5 30 ~	±0.3				
		SCALE	2:1				

COPYRIGHT RESERVED, PLEASE DO NOT COPY.

F E D C B A