

F

E

D

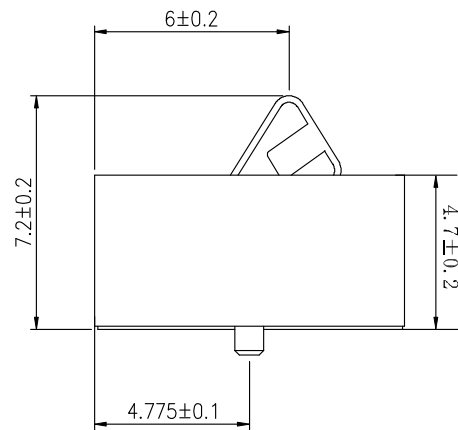
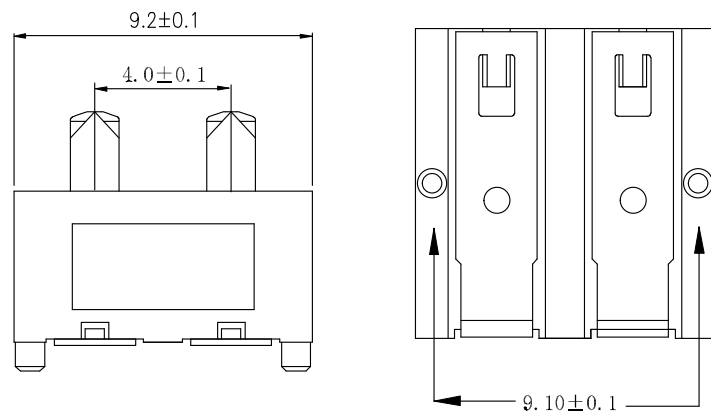
C

B

A

1

1



性能:

额定电流: 2.0A

额定电压: 12V

耐电压: 500V

接触电阻: 30mΩ

绝缘电阻: 500MΩ

工作温度: -40℃~+85℃

塑件(材质): LCP 黑色

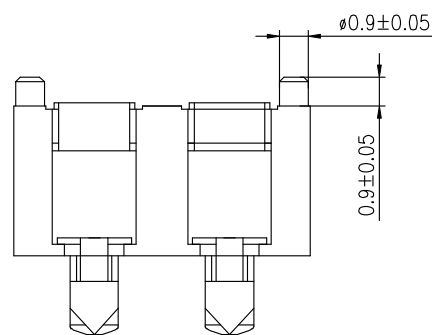
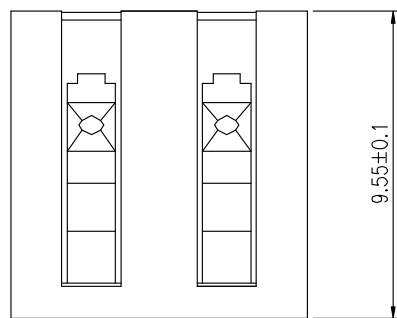
接触点(材质): 铜合金, 镀金

2

2

3

3



4

4

2	HOUSING	LCP	1	BLACK
1	CONTACT TERMINAL	Phosphor bronze	3	Au PLATED
NO.	PARTS	MATERIAL	QTY.	FINISHING

东莞市朗顿电子科技有限公司

COPYRIGHT RESERVED, PLEASE DO NOT COPY.

PART NAME		CONNECTOR		DRAWING	G.B.Wu	DWG.No.	DS-BC-012
PART NO.		BC-1-202		CHECK	Q.L.Dai	REV.	A0
UNIT :	TOLERANCE OTHERWISE	UP TO 5	±0.2	ANGLE	APPROVAL	DATE	11-12-2016
		ABOVE 5 30	±0.3			SCALE	2:1
mm		ABOVE 30	±0.5	0°±3'			

F

E

D

C

B

A