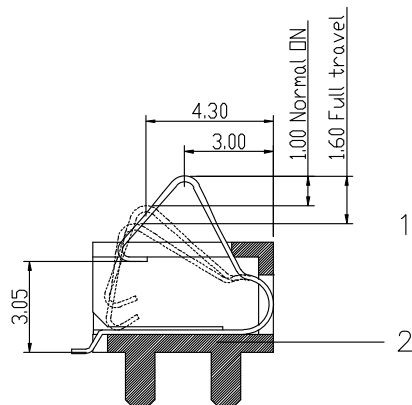
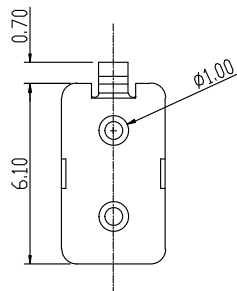
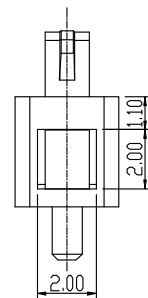
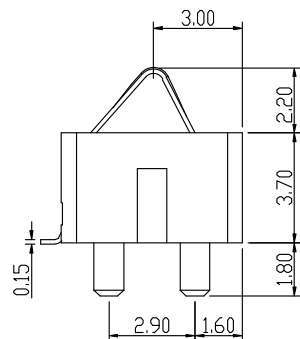
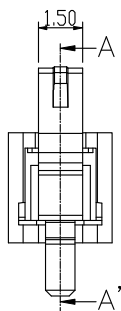


RoHS  
Compliant

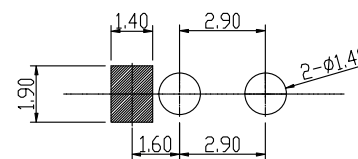
SYMBOL	REVISION	APPROVAL	DATE

SPECIFICATIONS

- ELECTRICAL CHARACTERISTICS:
  - 1-1.RATING: DC 20V 3A MAX
  - 1-2.CONTACT RESISTANCE: 20m Ω MAX(INITIAL)
  - 1-3.DIELECTRIC WITHSTANDING VOLTAGE: 500V AC FOR ONE MINUTE
  - 1-4.INSULATION RESISTANCE: 100M Ω MIN, MEASURED BY 500V DC
- LIFE TEST:MECHANICAL LIFE TEST 10,000 CYCLES MIN
- TEMPERATURE RISE : 30°C MAX



VIEW A-A'



P.C.B LAYOUT



CIRCUIT

2	HOUSING	LCP	1	GRAY
1	CONTACT TERMINAL	BeCu	1	Au PLATED
NO.	PARTS	MATERIAL	QTY.	FINISHING

东莞市朗顿电子科技有限公司

COPYRIGHT RESERVED,PLEASE DO NOT COPY.

PART NAME		CONNECTOR		DRAWING	Z.L.Liang	DWG.No.	
PART NO.		BC-1-102		CHECK	G.C.Chen	REV.	A1
UNIT :	TOLERANCE	UP TO 5	±0.2	ANGLE	APPROVAL	DATE	31-03-2021
	OTHERWISE	ABOVE 5 TO ABOVE 30	±0.3			SCALE	1:1
mm		ABOVE 30	±0.5	0°±3'			